

## E-Z TRIM – Butyl Tape

---

### PRODUCT DESCRIPTION

E-Z Trim is a high quality gray butyl tape that is extruded onto smooth silicone release paper. It is used to bond and seal metal roofing, windows, gutters, and roof penetrations. E-Z Trim is available in a wide variety of sizes to meet the critical requirements of the manufactured housing and RV industries.

---

### PRODUCT ADVANTAGES:

E-Z Trim is the butyl tape that trims easily and cleanly.

- Superior adhesion
  - Stronger than putty tapes
  - Easily trimmed with blunt tool
  - No scratching of window unit
  - Awled quickly and cleanly
  - Provides watertight seal
- 

### PRODUCT INSTALLATION

**SURFACE PREPARATION:** All surfaces to be sealed should be free of dust, dirt, oil, moisture, grease, etc. before applying tape.

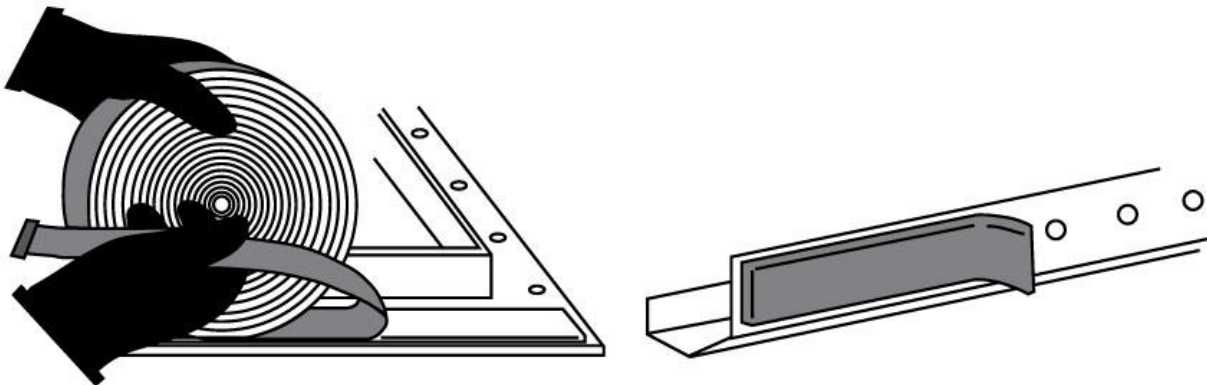
**APPLICATION:** Apply directly from roll or cut to size with knife or scissors. Press E-Z Trim firmly into place with hand. Intimate contact must be made between tape and subsurface to assure a watertight seal. Gently peel off silicone release paper. When lapping tape, allow at least 1/4" (6.4 mm) overlap.

**WORKING CONDITIONS:** Apply in normal dry working conditions.

Meets AAMA 807.1-85 Requirements

---

### PRODUCT INSTALLATION DIAGRAM



## E-Z TRIM – Butyl Tape

### PRODUCT PROPERTIES AND PERFORMANCE DATA:

DESCRIPTION	AVG	$\sigma$	REPLICATES	TEST METHOD
Specific Gravity lb./gal (US)	15.4	0.1	2	ASTM D 792
Low Temperature Flexibility	No loss of adhesion or cracking			ASTM C 765
Weight Loss after Heat Aging	0.39	0.002	2	ASTM C 771
Oil Migration/Plasticizer Bleed-Out	Slight wetting on top sheet. No bleed.		2	ASTM C 772
Softness mm penetration	9.7	0.2	5	ASTM C 782
Tensile Adhesive Strength, lb. force	34.0 MOF: Cohesive	2.4	2	ASTM C 907
Yield Strength, lb. force	8.0 psi	0.2	2	ASTM C 908

For more information contact:

#### CUSTOMER SERVICE

GSSI Sealants (an H.B. Fuller company)  
1420 N Post Oak Rd. Houston TX 77055  
P: 800-288-9489 | [gssisealants.com](http://gssisealants.com)